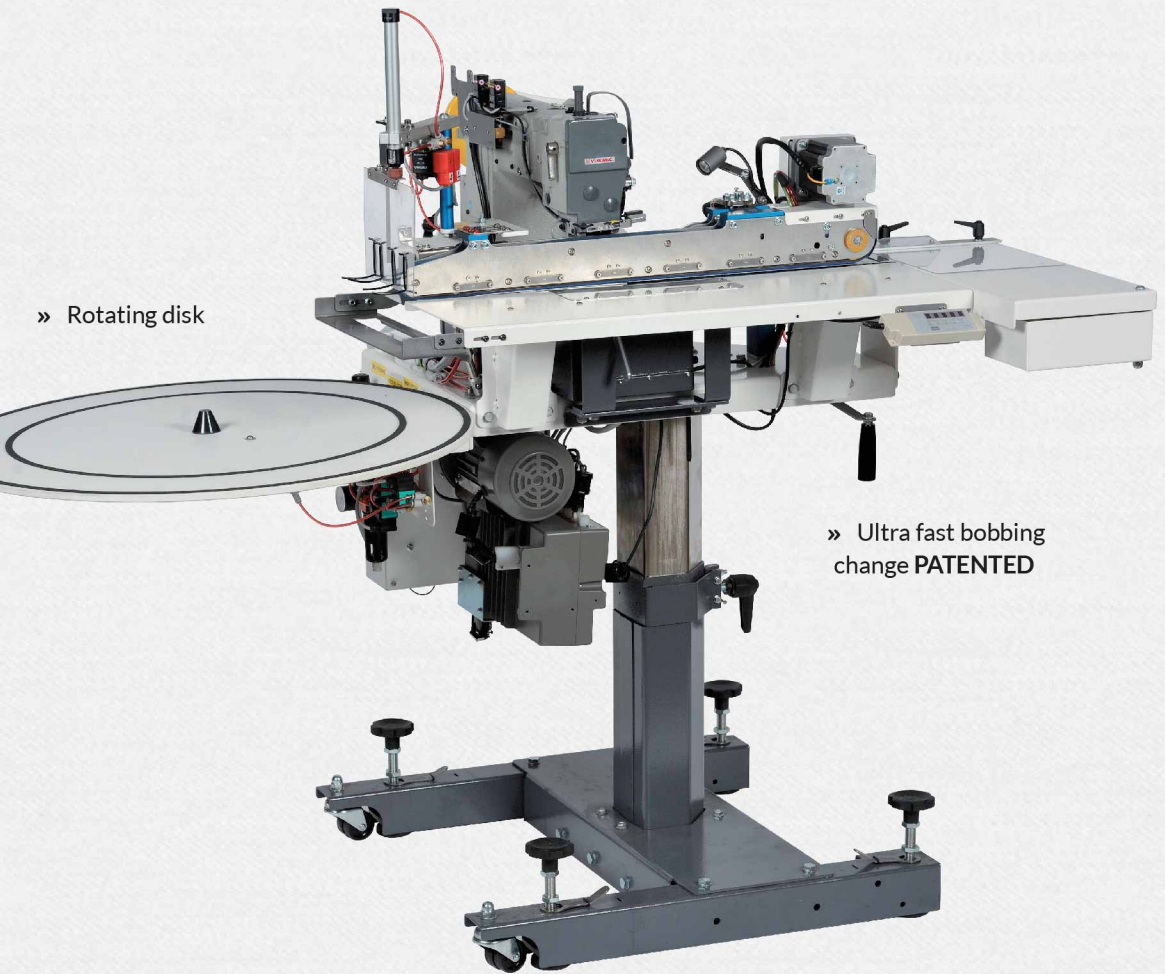


V701



AUTOMATIC POCKET HEMMING UNIT 2LS



» Rotating disk

» Ultra fast bobbin change **PATENTED**

» Model V701L with automatic loader

The speed is set to 2400 rpm, highest speed for a lock stitch unit. The production x hour of the machine is slightly reduced compared with the V700, because of the bobbin change, but once again Vi.Be.Mac. R&D dept developed and **patented worldwide a unique quick bobbin change system for the external one (less than 15 seconds)**. More flexibility, the innovative transport system permits to hem ANY kind of fabric thickness, from surf-shorts, to shirt's fabric and any kind of denim fabric (even stretch); plus any kind of pocket dimension, from coin pocket to big size work-wear pockets thanks to the dynamic and reliable transport belts, which never mark the fabric.

TECNICAL FEATURES:

Equipped with Mitsubishi or Vi.Be.Mac. sewing head, V701 is strong, precise and accurate in the seam. Its unique and wide range of needle gauges available makes this unit unbelievably flexible. There will be no more wave effect or arching of the pocket hem problems thanks to the innovative pneumatic transport system (**patented**), which has a belt that settles itself according to the fabric thickness and shape, plus an adjustable folder to satisfy every fashion need. The new mechanical system allows to remove the transport system making all the maintenance operations quick and easy. At the end of the transport belt, an un-loader automatically stacks the pockets properly on the storage disk.

SPECIFICATIONS:

- * **Sewing Head:** Mitsubishi or Vi.Be.Mac. 2 needle lock stitch
- * **Sewing Speed:** 2400 rpm
- * **Stitch Length:** from 2 mm to 4,5 mm
- * **Standard Needle Gauges:** 1/4" (6,4 mm)
- * **Optional Needle Gauges:** 1/8" (3,2 mm) - 5/32" (4 mm) - 3/16" (4,8 mm) - 7/32" (5,6 mm) - 1/4" (6,4 mm) - 9/32" (7,2 mm) - 5/16" (8 mm) - 3/8" (9,5 mm) - 1/2" (12,7 mm)
- * **Productivity:** 1500/1800 pockets x hour
- * **Power Supply Voltage:** 220 V 50/60 Hz
- * **Sewing Machine Motor:** Mitsubishi XCG 554 220Y - 550W
- * **Control Box:** XCG MFY 2005
- * **Air consumption:** 3L/min (without loader)

EQUIPPED WITH:

- » **Ultra fast bobbin change device (less than 15 seconds) - PATENTED**
- » Air Compressed Economizer - opens and closes **ONLY** when chain cutter is activated

LOWER CONSUMPTIONS

- » Pneumatic traction control on the feeding belt - **PATENTED**
- » Rotating store disk (up to 600 pockets)
- » Stacker
- » Thread breakage sensor
- » Patented automatic thread trimmer
- » Adjustable folder
- » One leg adjustable stand
- » Quick & easy change of the folder
- » **Model V701L is equipped with automatic loader**



2 NEEDLE
LOCKSTITCH



1 NEEDLE
LOCKSTITCH



COM
POCKET

OPTIONS:

- » Second store disk: while the unit V701 is working, pockets are stored and disk can be replaced with an empty one in 5 seconds only
- » Manual label insertion device