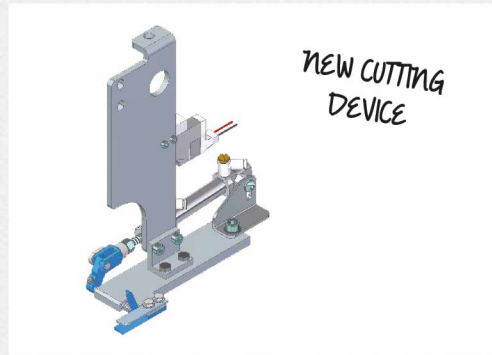


V2220

FRONT POCKET HEMMING UNIT

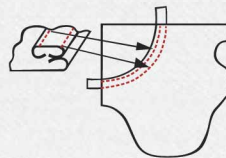


» Inserted tape



SPECIFICATIONS:

- * Max Sewing Speed: 3000 rpm
- * Stitching Length: max 4,5 mm
- * Max Tape Width: 16 mm
- * Needle Gauges: 3/32" (2,4mm)
1/8" (3,2mm) - 5/32" (4mm)
3/16" (4,8mm) - 7/32" (5,6mm)
1/4" (6,4mm) - 5/16" (8mm)
3/8" (9,5mm) - 1/2" (12,7mm)
- * Sewing Head: Mitsubishi or Vi.Be.Mac.
2 needle lock stitch
- * Power Requirement:
220V Single-Phase 50/60
- * Sewing Machine Motor: Mitsubishi
XCG 554 20Y - 550 W
- * Control Box: Mitsubishi XCG MFY 2005
- * Air Consumption: 1,8 L/min



FRONT POCKET
HEMMING

The V2220 Front Pocket Hemming Unit is a double needle lock stitch unit, with Mitsubishi or Vi.Be.Mac. sewing head. This unit greatly simplifies the hemming and sewing of the front pockets, offering also the possibility of inserting at the same time a reinforcing / branded tape. Above all, it gives a very high sewing quality and avoids the subsequent need of a manual cut of the excess tape, operation usually performed by a helper. It is enough to program the desired length on the control panel, and the knife controlled by a pneumatic cylinder will automatically cut the tape and the thread at the beginning and at the end of the front pocket, avoiding waste of expensive reinforcing / branded tape.